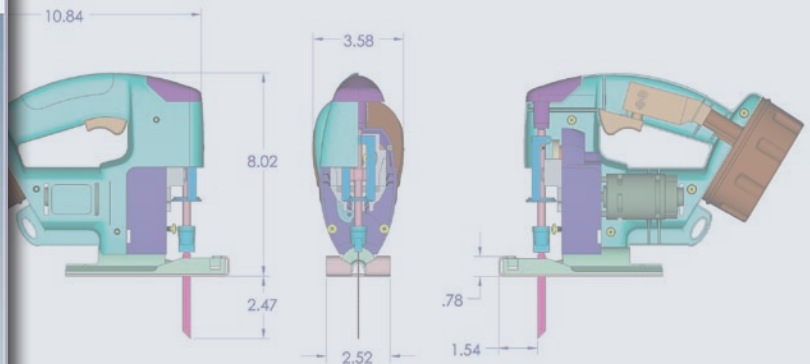
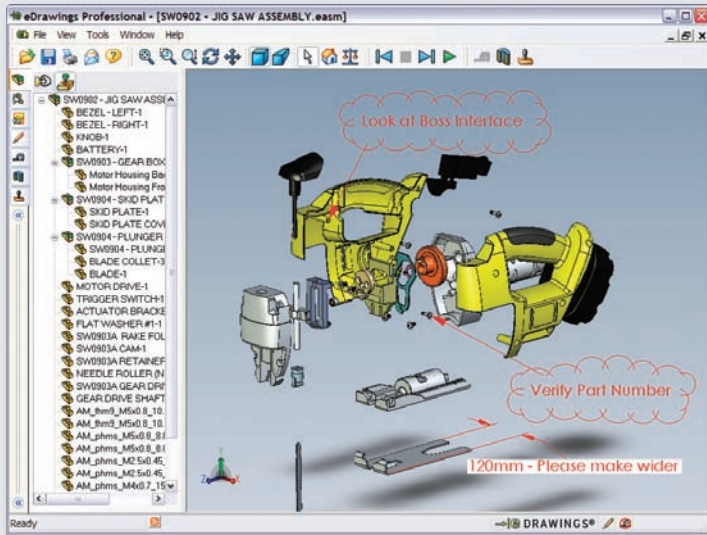


# SolidWorks eDrawings Professional

A NEW STANDARD FOR DESIGN COLLABORATION



Exploded views and animations saved within eDrawings files enable easier visualization and review of 3D models.

**SolidWorks® eDrawings® Professional is the first email-enabled communication tool that dramatically eases the review of 2D and 3D product design data across your extended product development teams.**

## Speed product design reviews

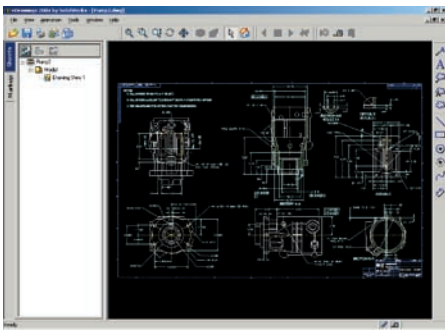
Shorten the product design review process with SolidWorks eDrawings Professional, the first email-enabled communication tool that significantly improves your ability to share 2D and 3D product design data. SolidWorks eDrawings Professional provides innovative capabilities that eliminate common communication barriers and speed the design review process. Unlike CAD files, eDrawings files are compact and easy to email, typically requiring 95 percent less bandwidth to transmit. eDrawings files are highly interactive, allowing recipients to view designs in 3D.

## View, mark up, measure, and review-enable eDrawings files

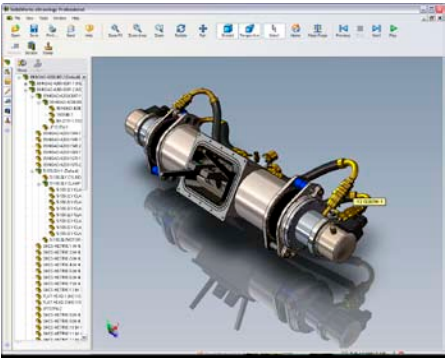
Simplify design reviews with the powerful and intuitive viewing, markup, and measuring capabilities provided only by SolidWorks eDrawings Professional. Generate accurate representations of 2D drawings and 3D models that anyone can view, mark up, and measure without having to purchase their own markup tools. If you wish, you can automatically embed the free eDrawings Viewer with any eDrawings files that you send, so reviewers do not even need to download the viewer.



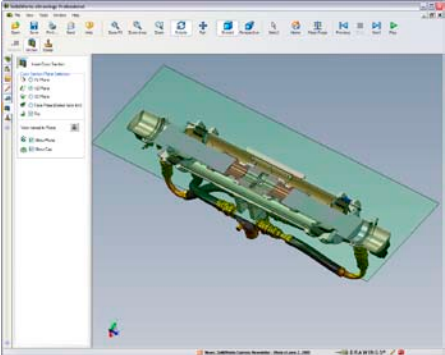
**real** design collaboration



Collaborate on DXF and DWG files by opening files directly into the eDrawings Viewer.



Generate accurate representations – including RealView textures – of 3D models that you can more easily share with other product designers, marketing and manufacturing staff, suppliers, and customers.



Visualize designs more effectively by moving a dynamic cross-sectioning plane through parts and assemblies to see design details typically hidden from view.

Create review-enabled documents that allow an unlimited number of eDrawings recipients to mark up and measure your designs without having to purchase SolidWorks eDrawings Professional or any other markup tool.

- Publish accurate representations of 3D models and 2D drawings created with various CAD systems, including SolidWorks, AutoCAD®, Pro/ENGINEER®, Autodesk Inventor®, CATIA®, Unigraphics®/NX™, Solid Edge®, and CoCreate OneSpace™.
- View and print native SolidWorks, Pro/ENGINEER, AutoCAD, DWG, and DXF™ files.
- Create, edit, and save reviews by redlining 2D or 3D data and adding comments.
- Measure geometry in part, assembly, and drawing files when dimensions are omitted from an eDrawings file. To protect sensitive design data, simply disable the measurement feature.
- Visualize designs more effectively by moving a dynamic cross-sectioning plane through parts and assemblies to see details typically hidden from view.
- Visualize assemblies more effectively by moving external components to see the otherwise hidden interior components.
- Take advantage of eDrawings files for rapid prototyping and presentation purposes by saving files in STL, TIFF, JPEG, or BMP formats.
- Password-protect your eDrawings files, protecting your sensitive design data while allowing users to more fully share design data.
- Protect intellectual property by adding a stamp image to any 2D eDrawings file and a transparent watermark to any 3D eDrawings file.
- View animations created with the SolidWorks animation capability and observe in real time how moving parts interact in your assemblies.

### Share product designs more easily

Share product design information more easily with other product designers, marketing and manufacturing staff, suppliers, and customers. eDrawings automatically captures all kinds of design data, including SolidWorks configurations, exploded views, and analysis results from SolidWorks Simulation and SolidWorks SimulationXpress. Say goodbye to productivity barriers, such as incompatible data, slow fax machines, and overnight packages. Instantly create compressed product design files that are very convenient to send and receive via email.

### Enable others to interpret your designs more effectively

Bring product concepts to life with interactive eDrawings files that allow others to interpret and understand your designs more effectively. SolidWorks eDrawings Professional interpretation tools include:

- 3D Pointer – Easily identify and match geometry in multiple drawing views, allowing easier interpretation when comparing the same location within different views.
- Layouts – Open individual views in a drawing and arrange them as desired, regardless of how the views were arranged in the original drawing. SolidWorks eDrawings Professional automatically arranges the views intelligently and enables printing and exporting of any subset of a drawing.
- Point-and-Click Animation – Quickly interpret and understand any SolidWorks drawing by dynamically viewing the 3D model as it automatically rotates through each drawing view.
- Hyperlinking – Simply click on any view annotation and the corresponding view is highlighted, making navigating a drawing as easy as browsing a webpage.



Dassault Systèmes SolidWorks Corp.  
 300 Baker Avenue  
 Concord, MA 01742 USA  
 Phone: 1 800 693 9000  
 Outside the US: +1 978 371 5011  
 Email: info@solidworks.com  
 www.solidworks.com